

## THERMOSTATIC STEAM TRAPS AND AIR VENTS TH32i

### DESCRIPTION

The TH32i series thermostatic steam traps and air vents are specifically designed for use on process equipment such as kettle cookers, sterilizers, food, chemical and laundry equipment.

### MAIN FEATURES

Modulating discharge.  
Discharges condensate close to steam temperature.  
Thermostats for different sub cooling (5 °C to 30 °C).  
Excellent air discharge.  
Operates on moderate superheated steam.  
Built-in strainer.

OPTIONS: LC – low capacity.  
Integral check valve.  
Blowdown valve.

USE: Saturated steam.

AVAILABLE MODELS: TH32i – stainless steel.  
TH32i-CK – stainless steel, with check valve.

SIZES: 1/2" to 1"; DN 15 to DN 25.

CONNECTIONS: Female threaded ISO 7 Rp or NPT.  
Flanged EN 1092-1 PN 40.  
Flanged ASME B16.5 Class 150 or 300.  
Socket weld (SW) ASME 16.11.  
Butt weld (BW) ASME B16.25 on request.

INSTALLATION: Horizontal installation recommended, can be installed in any position.  
See IMI – Installation and maintenance instructions.



### CE MARKING – GROUP 2 (PED – European Directive)

PN 40	Category
1/2" to 1" – DN 15 to 25	SEP

### BODY LIMITING CONDITIONS

FLANGED PN 40 *	FLANGED CLASS 150 **	FLANGED CLASS 300 **	RELAT. TEMP.
ALLOW. PRESSURE	ALLOW. PRESSURE	ALLOW. PRESSURE	
40 bar	15,3 bar	39,9 bar	50 °C
34,4 bar	12 bar	31,3 bar	150 °C
29,9 bar	10,2 bar	26,6 bar	250 °C
27,6 bar	9,7 bar	25,2 bar	300 °C

PMO – Max. operating pressure: 22 bar.

TMO – Max. operating temperature: 250 °C.

\* Acc. to EN 1092-1:2018. \*\* Acc. to EN 1759-1:2004.

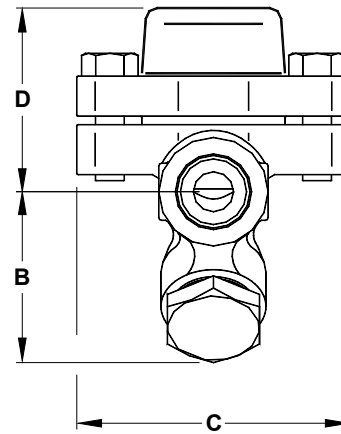
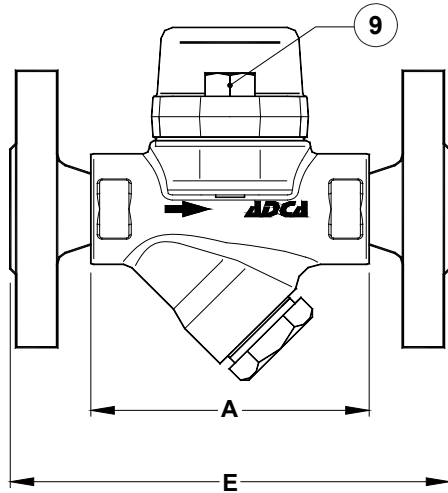
Body limiting conditions PN 40 or below, depending on the type of connection adopted. Rating PN 40 for threaded, SW and BW versions.

### FLOW RATE CAPACITY (kg/h)

MODEL	SIZE	DIFFERENTIAL PRESSURE (bar)														
		0,2	0,3	0,5	1	1,5	2	3	4	6	8	10	13	15	20	22
TH32i	1/2" to 1" DN 15 to 25	70	120	140	255	330	385	455	510	600	670	700	720	750	775	795
TH32iLC	1/2" to 1" DN 15 to 25	45	55	70	95	125	135	180	200	270	315	330	360	370	405	415

Capacities shown refer to condensate at 10 °C below saturated steam temperature (standard type S thermostat).

Thermostats for 5 °C (type H) and 30 °C (type L) also available. Capacities for cold condensate discharge at 20 °C are two to three times greater.



**DIMENSIONS (mm)**

SIZE	THREADED / SW					PN 40		CLASS 150		CLASS 300	
	A	B	C	D	WEIGHT (kg)	E	WEIGHT (kg)	E	WEIGHT (kg)	E	WEIGHT (kg)
1/2" – DN 15	95	59	95	65	1,6	150	3,2	150	2,7	150	3,5
3/4" – DN 20	95	59	95	65	1,6	150	3,9	150	3,1	150	4,7
1" – DN 25	95	65	95	65	1,8	160	4,7	160	4,3	160	5,9

**MATERIALS**

POS. N°	DESIGNATION	MATERIAL
1	Body	AISI 316L / 1.4404
2	Cover	AISI 316L / 1.4404
3	* Gasket	Stainless steel / Graphite
4	* Valve seat	AISI 304 / 1.4301
5	* Thermostatic element	Stainless steel
6	* Strainer screen	AISI 304 / 1.4301
7	* Gasket	Stainless steel / Graphite
8	* Strainer cover	AISI 303 / 1.4305
9	Bolts	Stainless steel A2-70

\* Available spare parts.

