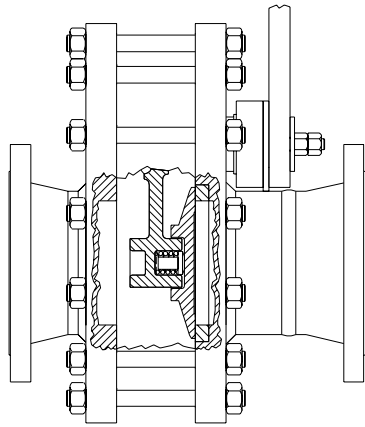


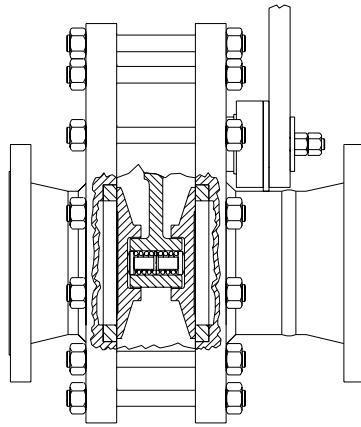
# CLASS 150 & 300 SD, DD, LD, LB SERIES

## FIGURE NUMBER CODE

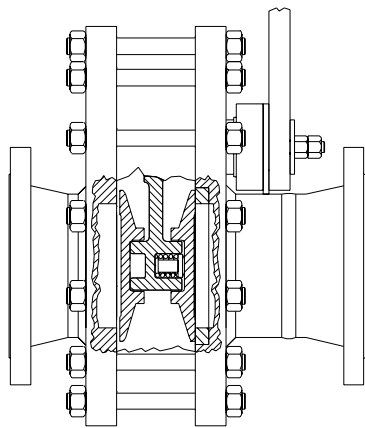
### STANDARD VALVES



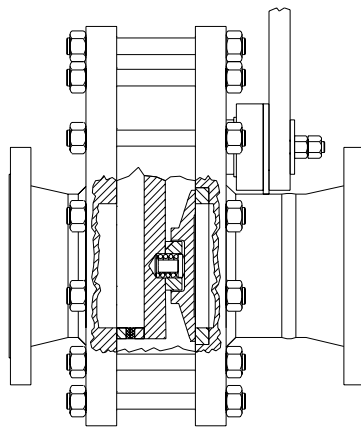
SINGLE DISC "SD SERIES"



DOUBLE DISC "DD SERIES"



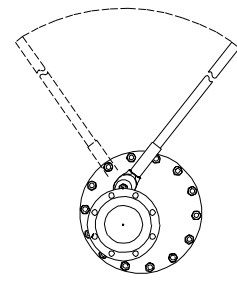
LENS DISC "LD SERIES"



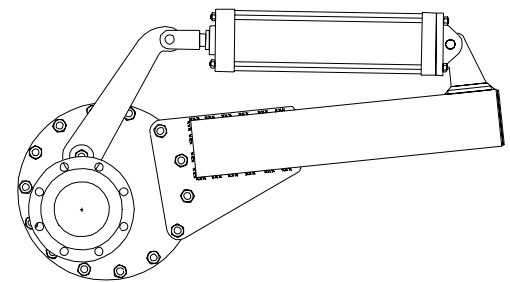
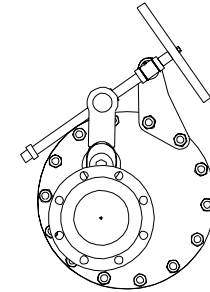
LOCK BAR "LB SERIES"

### OPERATORS

LEVER



WHEEL



CYLINDER

Überreicht durch:  
**ASA Horst Wieber GmbH**, Werner-von-Siemens-Str. 17, 28816 Stuhr  
 Tel.: 0421/565727-0 • E-Mail: info@asa-germany.de • www.asa-germany.de  
**ASA**  
AN ERBENSCHEFT FÜR LAMBERG

EXAMPLE: Class 150 Flanged Carbon Steel Valve, Single Disc, with Stellite #6 Seat & Disc, Teflon Packing, Air Cylinder Operated:

I            II, III, IV            V            VI            VII            VIII  
SD - 151C - 1 - T - A - \*\*

I SERIES	II ANSI CLASS	III END CONNECTIONS	IV BODY MATERIAL	V SEAT / DISC MATERIAL	VI SEALS & PACKING *	VII OPERATOR
SD (Single Disc)	15 (150)	1 (Flanged)	C (Carbon Steel)	1 (Stell 6/Stell 6)	T (Teflon)	L (Lever)
DD (Double Disc)	30 (300)	9 (Other)	S (316 SS)	9 (Other)	N (High Temp)	W (Wheel)
LD (Lens Disc)			Z (Other)			A (Air Cylinder)
LB (Lock Bar)						

\* Refer to PACKING OPTIONS SHEET for explanation of seals and packing.

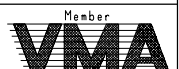
\*\* Suffix for accessories would be added if necessary. See STANDARD ACCESSORIES for available accessories.

SS-9-90



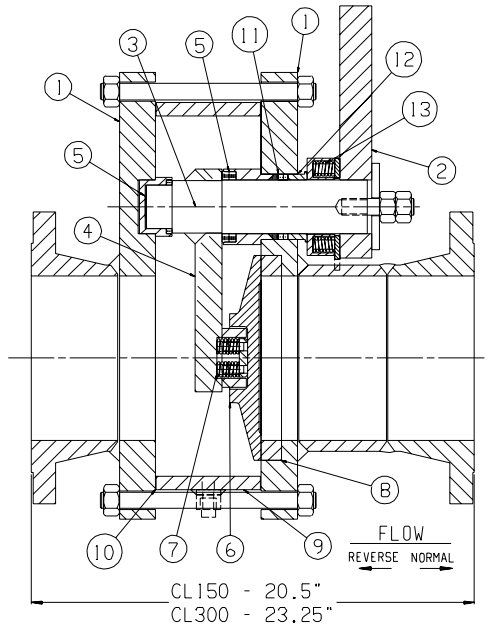
VALVE  
COMPANY, INC

108 SOMOGYI CT. S. PLAINFIELD N.J. 07080  
TEL: 908-769-0700 FAX: 908-769-8697



# CLASS 150 & 300 SD, DD, LD, LB SERIES

CL150 8"  
CL300



SINGLE DISC ("SD" SERIES)

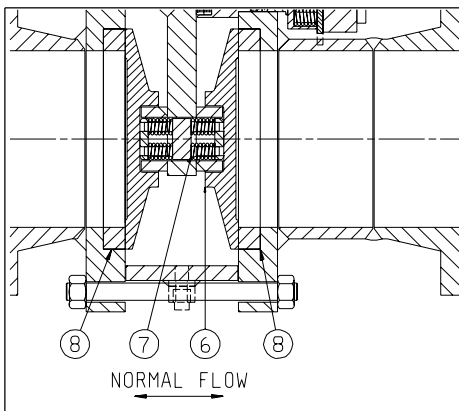
## SPECIFICATIONS

- Rating: CL150 & CL300 ANSI B16.34
- Temp. Range: -20 F to 750 F
- Ends: RF Flanged
- Body: Carbon Steel & 316 Stainless Steel
- Seats: Cast Stellite #6
- Discs: Stellite #6 Faced Carbon Steel
- Configurations: SD (Single Disc) shown at left  
DD (Double Disc) bottom left  
LD (Lens Disc) bottom center  
LB (Lock Bar) bottom right
- Operators: Handwheel; Air Cylinder
- Accessories: Limit Switches; Solenoid; Fail Safe (Air Reservoir & Solenoid). Refer to Standard Accessory Sheets for accessory specifications.
- Est. Cv : 2120

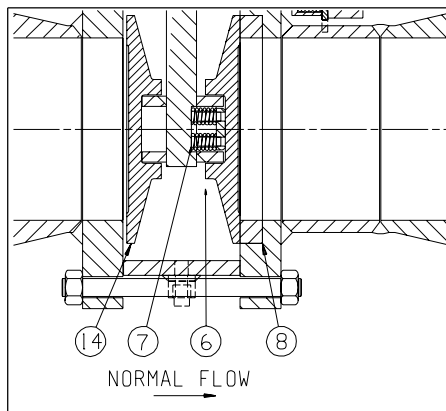
Notes:

1) All valves are supplied with (1) 3/4" Purge/Drain connection. (Shown in dotted lines on drawings)

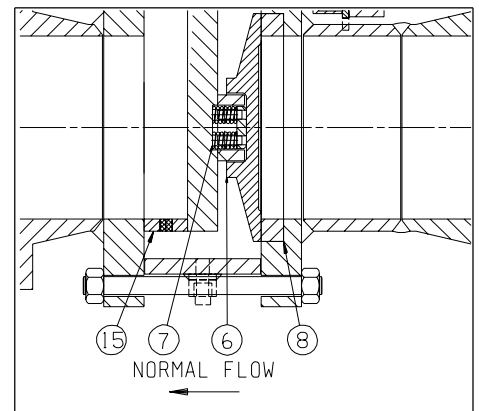
NO.	NAME	DESCRIPTION (C.S. BODY)	DESCRIPTION (S.S. BODY)
1	Body Plates	Carbon Steel A516 Gr. 70	Stainless Steel A240 Gr. 316 w/ Stell. #6
2	Wrench	Carbon Steel	Carbon Steel
3	Post	17-4 PH Stainless Steel	17-4 PH Stainless Steel
4	Lever Arm	Carbon Steel A516 Gr. 70	Stainless Steel A240 Gr. 316
5	Bearings	Semi - Steel	Nitronic 60
6	Disc	Stellite #6 Faced Carbon Steel	Stellite #6 Faced Stainless Steel
7	Springs	17-7 PH Stainless Steel	17-7 PH Stainless Steel
8	Seat	Cast Stellite #6	Cast Stellite #6
9	Spacer Ring	Carbon Steel A516 Gr. 70	Stainless Steel A240 Gr. 316
10	Gaskets	Corrugated 304 Stainless Steel	Corrugated 304 Stainless Steel
11	Packing	See "Packing Options" Sheet	See "Packing Options" Sheet
12	Gland	Nitronic 60	Nitronic 60
13	Gland Springs	17-7 PH Stainless Steel	17-7 PH Stainless Steel
14	Lens Disc	Cast Stellite #6	Cast Stellite #6
15	Lock Bar	Stellite #6 Faced Carbon Steel	Stellite #6 Faced Stainless Steel



DOUBLE DISC ("DD" SERIES)



LENS DISC ("LD" SERIES)

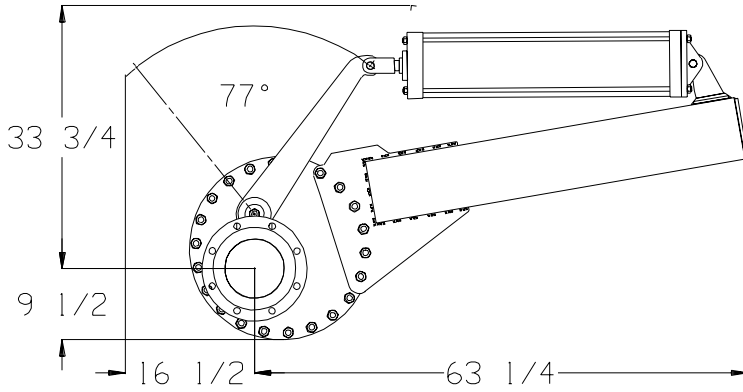


LOCK BAR ("LB" SERIES)

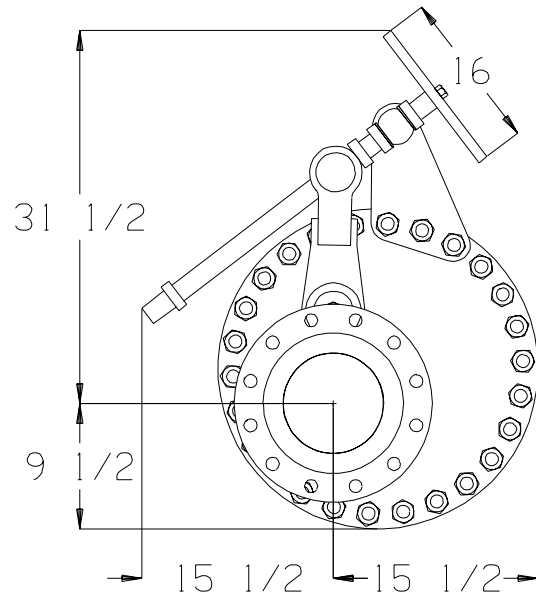
CL150  
CL300

8"

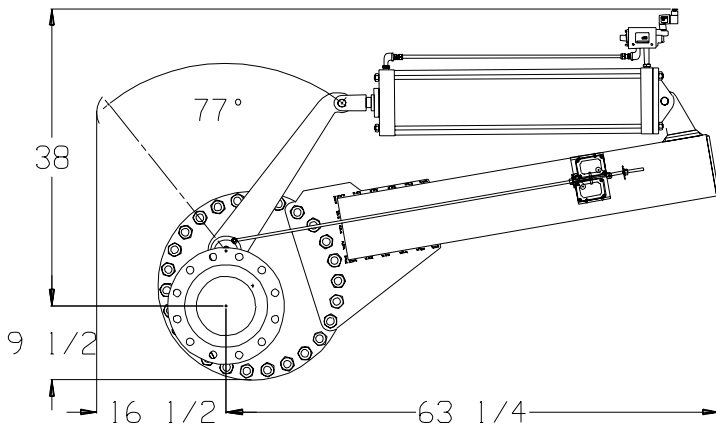
# CLASS 150 & 300 SD, DD, LD, LB SERIES



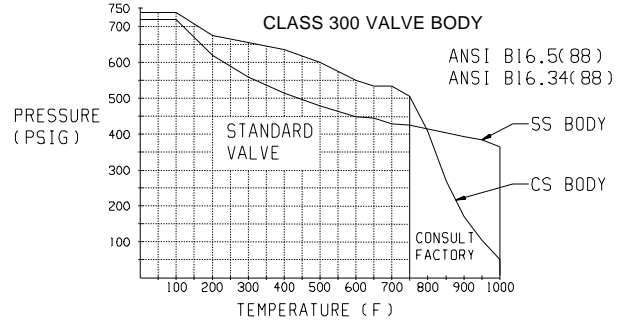
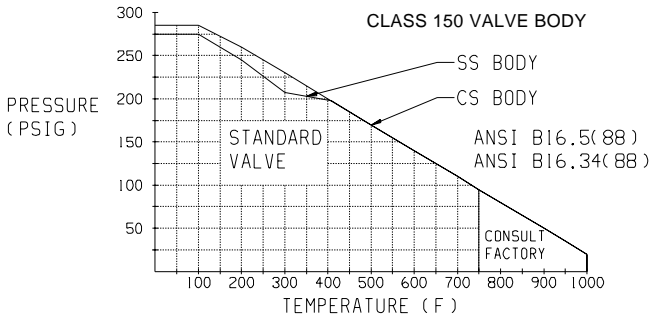
AIR CYLINDER OPERATOR



HANDWHEEL OPERATOR



A/C WITH LIMIT SWITCHES & SOLENOID



## MAXIMUM DIFFERENTIAL PRESSURE DURING VALVE CYCLING FOR CL150 & CL300 (4)

FLUID	CYL @ 60 PSI AIR	CYL @ 80 PSI AIR	CYL @ 100 PSI AIR	HANDWHEEL
CLEAN FLUID	165	220	275	500
20% SLURRY <sup>(1)</sup>	115	170	225	355
50% SLURRY <sup>(1)</sup>	100	155	210	310
75% SLURRY <sup>(1)</sup>	85	140	195	260
100% SLURRY	65	120	175	200

- NOTES:
1. For vertically positioned valves in slurry service, use 100% slurry value. For solid columns, Consult factory.
  2. All air cylinder values in Table include a Safety Factor of 1.5.
  3. Gear, hydraulic or electric operators can be sized per customer specs as applicable - consult factory.
  4. Consult Everlasting for higher differential pressures or for any clarifications.

**EVERLASTING**

VALVE  
COMPANY, INC

108 SOMOGYI CT., S. PLAINFIELD N.J. 07080  
TEL: 908-769-0700 FAX: 908-769-8697

SS-8-90