

THERMOSTATIC STEAM TRAPS AND AIR VENTS TH35/2 and TH35/3

DESCRIPTION

The TH35 series thermostatic steam traps and air vents are specifically designed for use on process equipment such as kettle cookers, sterilizers, food, chemical and laundry equipment.

MAIN FEATURES

Modulating discharge.
Discharges condensate close to steam temperature.
Excellent air discharge.
Operates on moderate superheated steam.
Can operate in any plane.

OPTIONS: Stainless steel construction.

USE: Saturated steam.

AVAILABLE

MODELS: TH35/2 – carbon steel, 2 capsules.
TH35/3 – carbon steel, 3 capsules.

SIZES: 1" – DN 25.

CONNECTIONS: Female threaded ISO 7 Rp or NPT.
Flanged EN 1092-1 PN 40.
Flanged ASME B16.5 Class 150 or 300.
Socket weld (SW) ASME 16.11.
Butt weld (BW) ASME B16.25 on request.

INSTALLATION: Horizontal installation recommended, can be installed in any position.
See IMI – Installation and maintenance instructions.



BODY LIMITING CONDITIONS		
FLANGED PN 40 / CLASS 300 *	FLANGED CLASS 150 **	RELATED TEMP.
ALLOW. PRESSURE	ALLOW. PRESSURE	
40 bar	19,3 bar	50 °C
35 bar	15,8 bar	150 °C
30,4 bar	12,1 bar	250 °C
27,6 bar	10,2 bar	300 °C

PMO – Maximum operating pressure: 22 bar;
TMO – Maximum operating temperature: 250 °C;
* Acc. to EN 1092-1:2018; ** Acc. to EN 1759-1:2004.
Body limiting conditions PN 40 or below, depending on the type of connection adopted. Rating PN 40 for threaded, SW and BW versions.

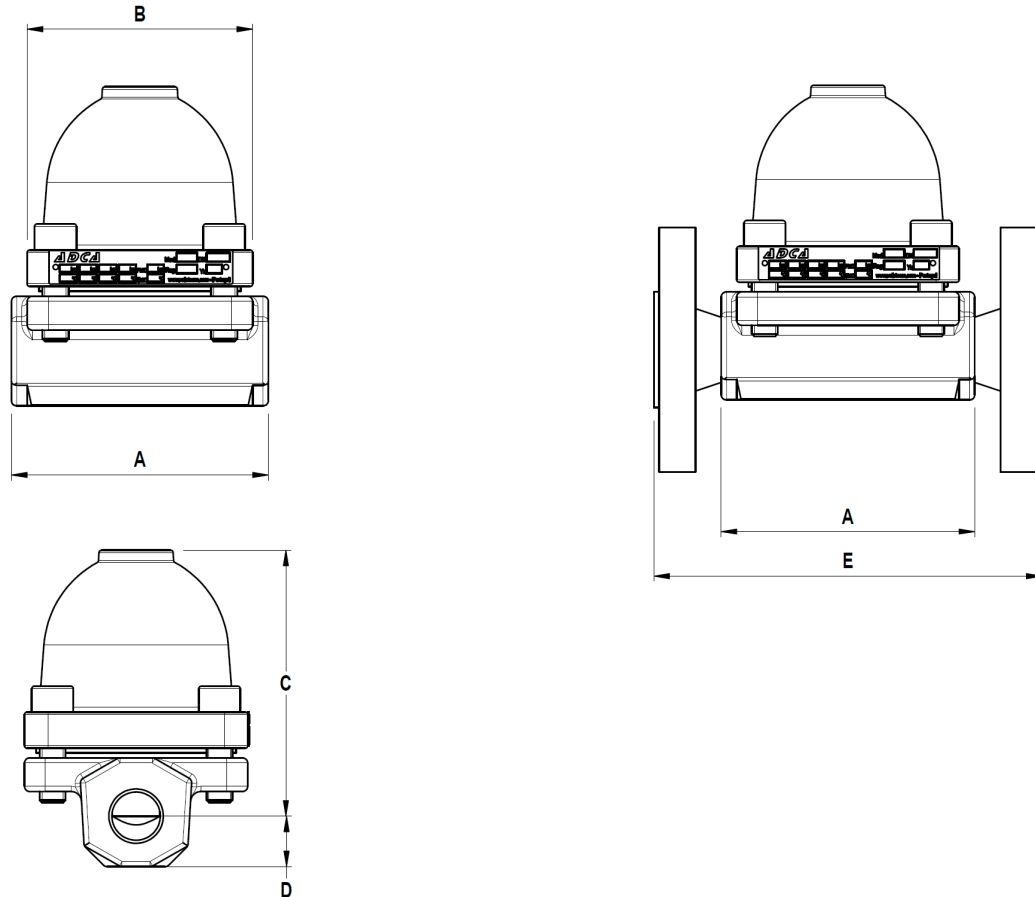
CE MARKING – GROUP 2 (PED – European Directive)

PN 40	Category
1" – DN 25	SEP

FLOW RATE CAPACITY (kg/h)

MODEL	SIZE	DIFFERENTIAL PRESSURE (bar)														
		0,2	0,3	0,5	1	1,5	2	3	4	6	8	10	13	15	20	22
TH35/2	1" – DN 25	140	240	280	510	660	770	910	1020	1200	1340	1400	1440	1500	1550	1590
TH35/3	1" – DN 25	210	360	420	765	990	1155	1365	1530	1800	2010	2100	2160	2250	2325	2385

Capacities shown refer to condensate at 5 °C below saturated steam temperature.
Capacities for cold condensate discharge at 20 °C are two to three times greater.



DIMENSIONS (mm)											
THREADED / SW						PN 40		CLASS 150		CLASS 300	
SIZE	A	B	C	D	WEIGHT (kg)	E	WEIGHT (kg)	E	WEIGHT (kg)	E	WEIGHT (kg)
1" – DN 25	98	86	103	20	2,8	160	5,4	160	5	160	6,6

MATERIALS		
POS. N°	DESIGNATION	MATERIAL
1	Body	P250GH / 1.0460
2	Cover	P250GH / 1.0460
3	* Gasket	Stainless steel / Graphite
4	* Valve seat	AISI 304 / 1.4301
5	* Thermostats	Stainless steel
6	* Strainer screen	AISI 304 / 1.4301
7	* Gasket	Copper
8	Bolts	Steel 8.8

* Available spare parts.

