

PRESSURE REDUCING VALVE RP45 (Threaded)

DESCRIPTION

The ADCA RP45 series pressure reducing valves are single seated, bellows sealed controllers that operate without auxiliary energy. Designed for use with steam, compressed air, and other gases compatible with the construction. They are particularly suitable for reducing steam pressure in all energy and process systems where downstream pressures must be kept under control.

OPERATION

Pressure reduction is achieved by variable throttling of the inlet flow, by variation of the flow area between seat and disc. The outlet pressure, which is transmitted through the feedback line to the diaphragm chamber, counteracts the spring force acting on the valve spindle, controlling the valve aperture corresponding to the spring setting, and thus, to the required outlet pressure.

MAIN FEATURES

Specially designed high durability bellows, providing pressure balancing and frictionless plug stem. Robust construction (fit-and-forget). Suitable for use with high pressure turndowns. Interchangeable actuators.

OPTIONS: Soft sealing in PTFE/GR for use with steam.
 Nitrile rubber soft sealing version for air and gases applications where tight shut-off is required.
 Low-noise flow divider.

USE: Steam, compressed air and other gases compatible with the construction.

AVAILABLE MODELS: RP45S and RP45ST or N – PN40 cast steel.
 RP45I and RP45IT or N – stainless steel.
 (All wetted parts free of ferrous metal or in stainless steel.)
 Suffix T: soft seated with PTFE/GR.
 Suffix N: soft seated with nitrile rubber.

SIZES: 1/2" to 1".

CONNECTIONS: Female screwed BSP or NPT.
 Horizontal installation.

INSTALLATION: An "Y" strainer, a humidity separator and a steam trap should be installed upstream the valve. See IMI – Installation and maintenance instructions.



Überreicht durch:
ASA Horst Wieber GmbH, Werner-von-Siemens-Str. 17, 28816 Stuhr
 Tel.: 0421/5665727-0 • E-Mail: info@asa-germany.de • www.asa-germany.de
AMT LEIBNIZ UNIVERSITÄT HANNOVER

CE MARKING – GROUP 2 (PED – European Directive)

PN16	PN40	Category
1/2" to 1"	1/2" to 1"	SEP

LIMITING CONDITIONS

Valve model	RP45S	RP45I	RP45ST	RP45IT	RP45SN*	RP45IN*
Body design conditions	PN40	PN40	PN40	PN40	PN40	PN40
Max. upstream pressure	25 bar	25 bar	25 bar	25 bar	25 bar	25 bar
Max. downstream pressure **	13 bar	13 bar	13 bar	13 bar	13 bar	13 bar
Min. downstream pressure	0,15 bar	0,15 bar	0,15 bar	0,15 bar	0,15 bar	0,15 bar
Max. operating temperature	250 °C	250 °C	200 °C	200 °C	80 °C	80 °C
Max. reducing ratio	25:1	25:1	25:1	25:1	10:1	10:1
Rangeability	10:1	10:1	10:1	10:1	10:1	10:1
Max. cold hydraulic test	25 bar	25 bar	25 bar	25 bar	25 bar	25 bar
Max. hydraul. factory valve body test	60 bar	60 bar	60 bar	60 bar	60 bar	60 bar

* Suffix N: a maximum turndown ratio 10:1 should be observed. Other soft materials on request.

** Others on request, with bellows or piston actuator.

DIMENSIONS (mm)

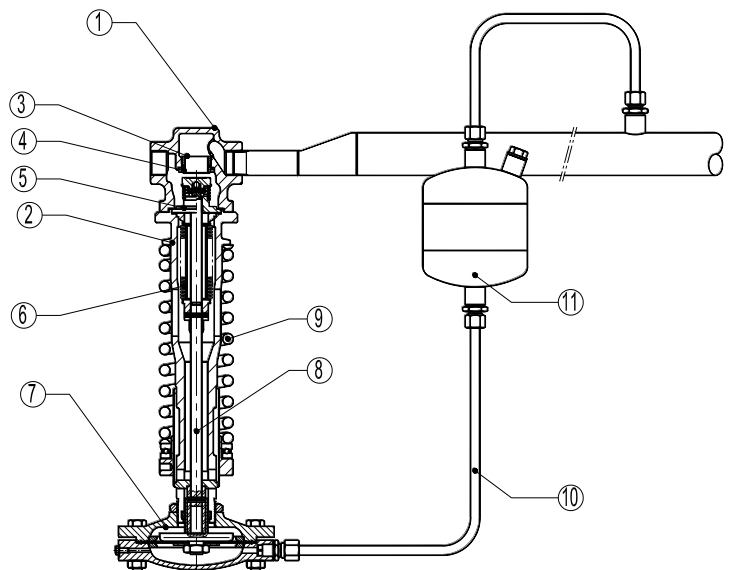
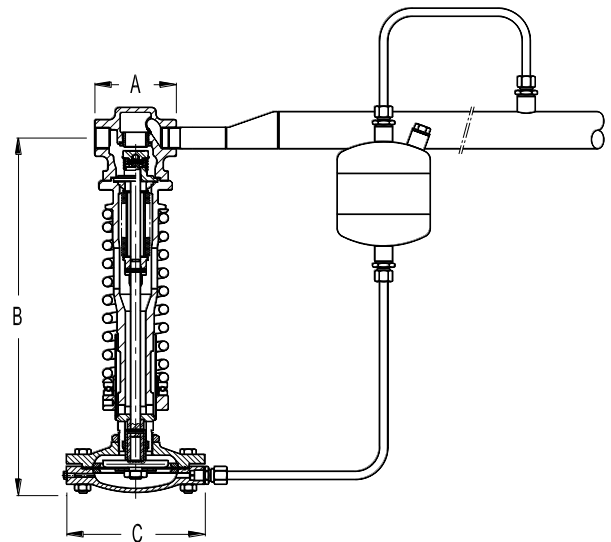
VALVE				ACTUATOR		
SIZE	A	B	WGT. (kg)	TYPE	C	WGT. (kg)
1/2"	100	440	11,2	A1	172	4,3
3/4"	100	440	11,5	A11	172	4,3
1"	100	440	12,1	A2	220	7,3
-	-	-	-	A21	220	7,3
-	-	-	-	A3	282	11,3
-	-	-	-	A4	340	16,3

MATERIALS

POS. Nº	DESIGNATION	MATERIAL
1	Valve body RP45S	A 216 WCB / 1.0619
1	Valve body RP45I	CF8M / 1.4408
2	Piston body RP45S	GJS-400-15 / 0.7040
2	Piston body RP45I	GJS-400-15 / 0.7040 nickel plated
3	Valve seat	Hardened stainless steel
4	* Valve disc	Hardened stainless steel
4	* Soft valve disc	AISI 304 / 1.4301 ; NBR (PTFE/GR, etc.)
5	Guide	AISI 304 / 1.4301
6	* Bellows	AISI 316 Ti / 1.4571
7	* Diaph. chamber RP45S	GJL-250 / 0.6025
7	* Diaph. chamber RP45I	CF8M / 1.4408
8	Spindle	AISI 304 / 1.4301
9	Regulating spring	Spring steel
10	* Impulse line RP45S	Copper
10	* Impulse line RP45I	AISI 316 / 1.4401
11	** Water seal pot RP45S	S235JRG2 / 1.0038
11	** Water seal pot RP45I	AISI 316 / 1.4401

* Available spare parts.

** Unecessary when operating with low temperatures. For detailed information, consult IS POT.10 E.



SATURATED STEAM CAPACITY TABLE (kg/h) (P2 < 0,58 P1)			
INLET (barg)	VALVE SIZE		
	1/2"	3/4"	1"
0,5	51	68	90
0,75	63	84	112
1	75	100	133
1,5	100	133	175
2	126	170	230
2,5	150	200	260
3	175	240	310
4	220	290	390
5	260	350	480
6	330	440	580
7	400	520	700
8	450	600	800
9	500	670	880
10	560	750	980
12	680	900	1180
14	800	1050	1400
16	920	1230	1630
18	1040	1400	1860
20	1170	1540	2100
22	1330	1780	2350
24	1500	2000	2600
25	1600	2150	2800

ACTUATOR AND SPRING SELECTION TABLE									
VALVE SIZE	Kvs (m³/h)	ACTUATOR							
			A - 4	A - 4	A - 3	A - 2	A - 21	A - 1	A - 11
1/2"	4,8	Outlet (bar)	0,15-0,49	0,5-0,99	1,0 - 1,6	1,7 - 3,8	3,9 - 5,5	5,6 - 8,2	8,3 - 13
		Spring N°	66	60	60	60	60	60	60
3/4"	6,9	Outlet (bar)	0,15-0,49	0,5-0,99	1,0 - 1,6	1,7 - 3,8	3,9 - 5,5	5,6 - 8,2	8,3 - 13
		Spring N°	66	60	60	60	60	60	60
1"	9,1	Outlet (bar)	0,15-0,49	0,5-0,99	1,0 - 1,6	1,7 - 3,8	3,9 - 5,5	5,6 - 8,2	8,3 - 13
		Spring N°	66	60	60	60	60	60	60

Correction factors

The given capacities apply to pressure reducing valves at critical pressure drop (downstream pressure is about 58% of the upstream pressure or lower). In case of non-critical pressure drop a correction factor must be used, as shown in the following table:

PRESSURE RATIO* P2 / P1	CORRECTION FACTOR f
≥ 0,7	1,25
≥ 0,8	1,6
≥ 0,9	2,25

* Pressure ratio in bar abs (barg + 1).

No correction factor should be used for pressure ratios under 0,7.

Superheated steam

If the steam to be reduced is superheated, instead of saturated, a correction factor has also to be applied. The required mass flow must be multiplied by the following factor:

$$\frac{V_h}{V_s}$$

where V_h = specific volume of superheated steam, and V_s = specific volume of saturated steam.

HOW TO SIZE (using steam table)

Example scenario:

Required saturated steam capacity: 300 kg/h; Upstream pressure: 7 bar; Required downstream pressure: 5 bar.

Solving: First determine the correction factor for pressure ratio: $\frac{5+1}{7+1} = 0.75 \rightarrow f = 1.25$

Then, multiply the required capacity by the correction factor determined: $300 \times 1.25 = 375 \text{ Kg/h}$;

Afterwards, refer to the cell "7 barg" in the column "INLET" of the steam table. In that line, the values for selection of the pressure reducing valve size can be found. In this particular scenario, a value equal to or higher than 375 kg/h is required, and any of the values in the line is higher than that. Therefore, the closest value should be preferred, leading to a 1/2" valve selection.

On the actuator and spring selection table, for a downstream pressure of 5 bar, the recommended actuator is the A-21 type, and the spring is N° 60.

Never size the valve according to the pipe diameter in which it has to be fitted, but according to the actual flow required. Pipe sizing must also respect the maximum recommended flow velocities, according to the medium.

HOW TO ORDER

RP45S 1/2" valve complete with spring N° 60, type A-21 actuator, condensate vessel and copper tube impulse line.

HOW TO SIZE (using Kvs)

Please consult formulas on IS PV10.00 E or consult factory.

INSTALLATION

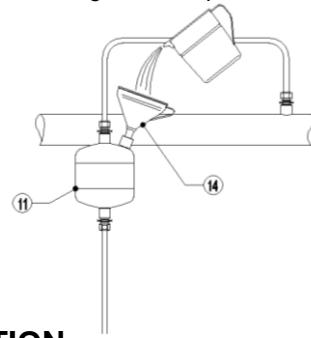
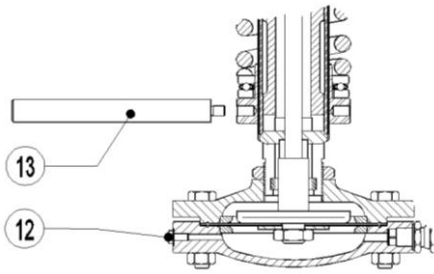
The RP45 is designed primarily for steam, compressed air and non inflammable gases. It has limitations when operating with liquids, since the plug closes in the same direction as the fluid flow, which can produce vibrations and water hammer. Please consult the factory for more details.

At service conditions where the temperatures are higher than 100 °C, it is necessary to protect the diaphragm against overheating, by using a seal pot.

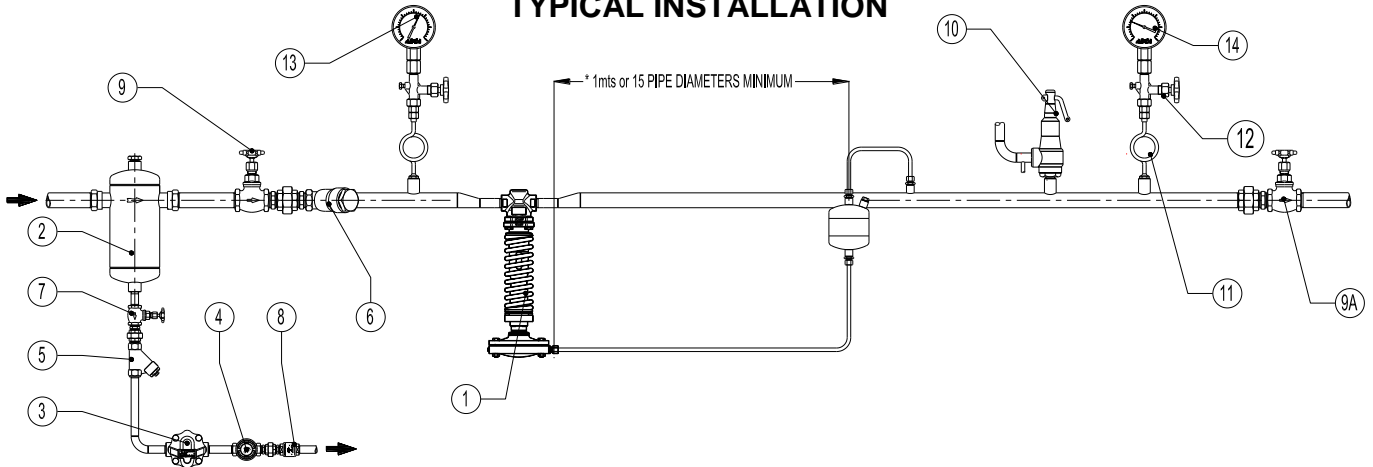
Service conditions with temperatures under 100 °C (water seal pot unnecessary): For operation with gases, the valve is ready to work. If the valve is to be used with liquids, please consult factory.
The valve can be installed with the actuator pointing upwards or downwards.

Service conditions with temperatures above 100 °C: Fill the seal pot (11) using a funnel (14), until the water emerges from the actuator vent (12) without bubbles. Close the actuator vent screw (12) and proceed to fill the pot until the water reaches the top, then close it with the plug. The valve is now ready to work.
The valve must be installed with the actuator pointing downwards.

Downstream set pressure should be adjusted with the key (13). By compressing the spring, its force increases and, consequently, so does the downstream set pressure. By relaxing the spring, its force decreases and so does the downstream pressure. The valve moves towards closed position when the downstream pressure rises, closing if the set pressure is exceeded.

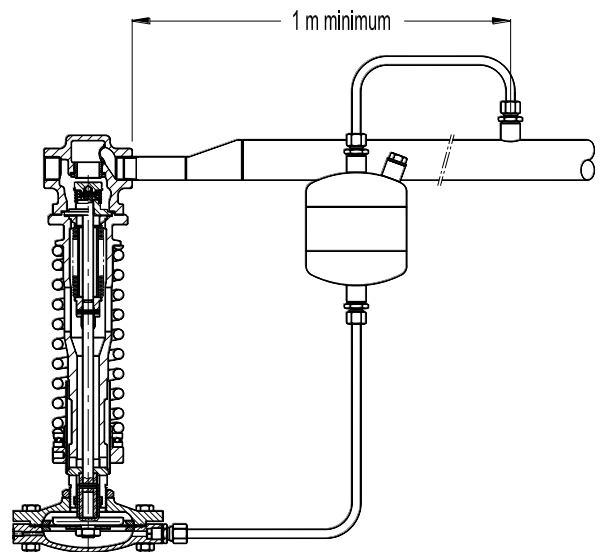


TYPICAL INSTALLATION



MATERIALS

POS. N°	DESIGNATION	MODEL
1	Pressure reducing valve	ADCA RP45
1A *	Water seal pot	POT
2	Humidity separator	ADCA S16
3	Steam trap	ADCA FLT series
4	Sight glass	ADCA SW12
5	Y strainer	ADCA IS16
6	Y strainer	ADCA IS16 or IS116
7	Stop valve	ADCA GV32B
8	Check valve	ADCA RT25
9	Stop valve	ADCA GV32B
9A	Stop valve	ADCA GV32B
10	Safety valve	ADCA SRV series
11	Coil	ADCA GSC-40
12	Gauge cock	ADCA GC-400
13	Upstream pressure gauge	ADCA MAN-100
14	Downstream pressure gauge	ADCA MAN-100



By-pass: if overpressure cannot be accepted, the use of a by-pass is not recommended. In alternative, for critical processes, two pressure reducing stations should be installed in parallel.

Remarks: PN ratings and materials according to the operating pressures.

* The balance pipe is recommended to be connected in the downstream pipe at a minimum of 1 meter away from the valve. Installation instructions (IMI-RP45) are available, as well as typical assembly drawings. Special assembly designs may be elaborated on request.