

BELLOWS SEALED STOP VALVES VF40

DESCRIPTION

VF40 series are streamlined flow valves with bellows, outside screw, no rising stem, maintenance free. They are specially recommended for steam, gas, liquid, condensate, thermal oil and water systems.

MAIN FEATURES

Double wall bellows specially designed for high durability.
Position indicator.
Lubricator.
Maintenance free.
Secondary safety sealing.



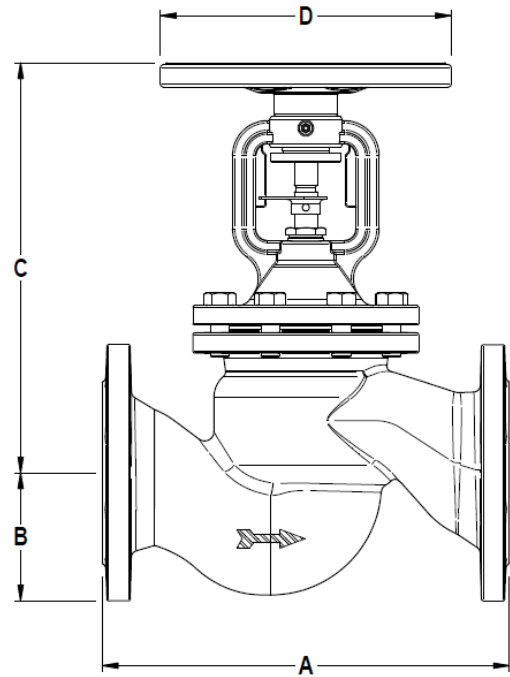
- OPTIONS:** Parabolic plug.
- USE:** Steam, gases and liquids compatible with the construction.
- AVAILABLE MODELS:** VF40 – Cast steel.
- RATING:** PN40.
- SIZES:** DN 15 to DN 150.
- CONNECTIONS:** Flanged EN1092-1 PN40.
- INSTALLATION:** See IMI – Installation and maintenance instructions.

Überreicht durch:
ASA Horst Wieber GmbH, Werner-von-Siemens-Str. 17, 28816 Stuhr
 Tel.: 0421/565727-0 • E-Mail: info@asa-germany.de • www.asa-germany.de

CE MARKING – GROUP 2 (PED – European Directive)	
PN40	Category
DN 15 to DN 32	SEP
DN 40 to DN 100	1 (CE marked)
DN 125 to DN 150	2 (CE marked)

BODY LIMITING CONDITIONS	
ALLOWABLE PRESSURES	RELATED TEMPERATURE
30 bar	- 20 °C
40 bar	- 10 °C / 50 °C
37,1 bar	100 °C
33,3 bar	200 °C
26,7 bar	300 °C

DIMENSIONS (mm)						
SIZE DN	A	B	C	D	WGT. (kg)	Kvs (m ³ /h)
15	130	47,5	189	120	4,3	4,3
20	150	52,5	189	120	5,1	7
25	160	57,5	189	120	5,8	11
32	180	70	220	160	9,5	17,5
40	200	75	220	160	9,8	27
50	230	82,5	295	195	17,5	47
65	290	92,5	295	195	20,5	68
80	310	100	368	280	34	116
100	350	117,5	368	280	44	162
125	400	135	523	350	77	250
150	480	150	523	350	110	364



MATERIALS		
POS. Nº	DESIGNATION	MATERIAL
1	Body	GP240GH
2	Seat	GP240GH
3	* Spindle	Stainless steel
4	* Disc	Stainless steel
5	Bonnet	GP240GH
6	* Bellows	Stainless steel
7	* Gasket	Stainless steel / Graphite
8	* Packing	Graphite
9	Gland	Zinc plated steel
10	Anti-friction disc	Zinc plated steel
11	Handwheel	Cast iron
12	Bolts	A2-70

* Available spare parts.

