

## BIMETALLIC STEAM TRAP UBS90

( For use with four bolts universal pipeline connectors)

### DESCRIPTION

UBS90 complete stainless steel, maintenance free, sealer series bimetallic steam traps and air eliminators are simple and robust traps, recommended for drip service, steam tracing applications and where condensate sensible heat can be recovered.

These traps fit the UCX90 four bolt universal connectors.

### MAIN FEATURES

- Sealed, non-maintainable.
- Modulating discharge.
- Discharges condensate below steam temperature.
- Excellent air discharge.
- Operates on superheated steam.
- Unaffected by water-hammer and vibrations.

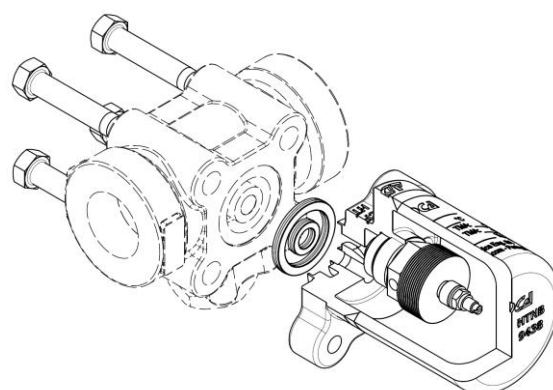
OPTIONS: Different operating limits.

USE : Saturated and superheated steam.

AVAILABLE MODELS : UBS 90/4 ; UBS90/6 ; UBS90/8.

SIZES : According to the selected pipeline connector .

INSTALLATION: With the bimetal column in a horizontal plane or pointing upwards.



Überreicht durch:  
**ASA** Horst Wieber GmbH, Werner-von-Siemens-Str. 17, 28816 Stuhr  
 Tel.: 0421/565727-0 • E-Mail: info@asa-germany.de • www.asa-germany.de

#### LIMITING CONDITIONS

MODEL	MAX. OPERATING PRESSURE	RELATED TEMP.
UBS 90/4	45 bar	482 °C
UBS 90/6	62 bar	482 °C
UBS 90/8	80 bar	482 °C

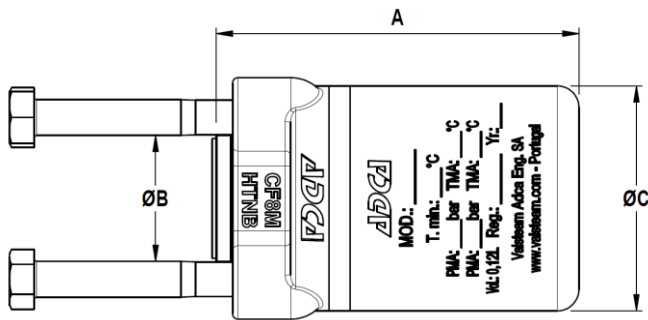
Operating pressures:

UBS90/4 - 15 to 45bar; UBS90/6 - 25 to 62bar; UBS90/8 - 25 to 80bar.

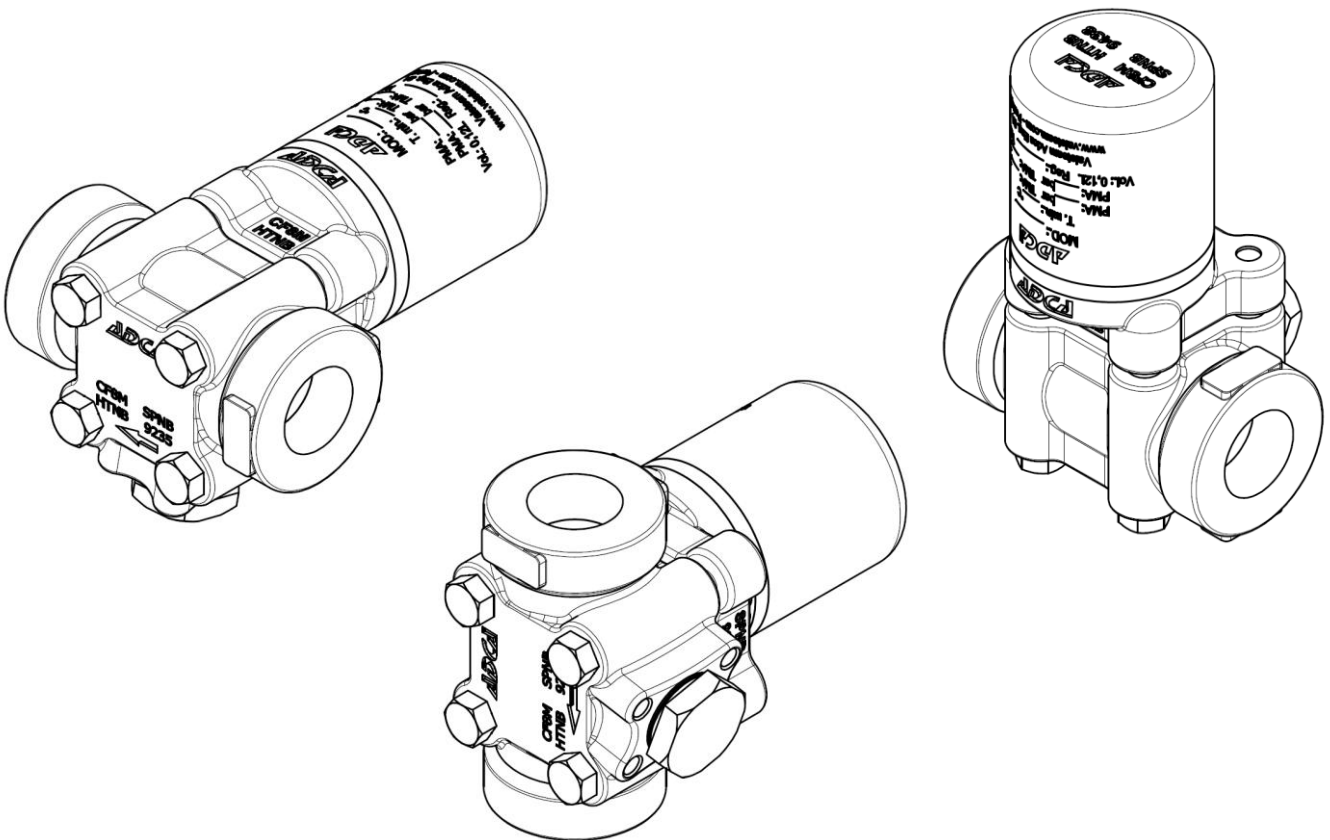
#### FLOW RATE CAPACITY IN Kgs/h

MODEL	SIZE DN	DIFFERENTIAL PRESSURE (bar)													
		15	17	20	22	25	30	35	40	45	50	55	62	70	80
UBS90/4	15 - 25 A	400	430	460	480	500	550	570	580	590	/	/	/	/	/
UBS90/4	15 - 25 B	2400	2600	2760	2800	3000	3200	3600	4000	4200	/	/	/	/	/
UBS90/6	15 - 25 A	/	/	/	/	500	550	570	580	590	600	610	620	/	/
UBS90/6	15 - 25 B	/	/	/	/	3000	3200	3600	4000	4200	4700	5000	5400	/	/
UBS90/8	15 - 25 A	/	/	/	/	500	550	570	580	590	600	610	620	630	650
UBS90/8	15 - 25 B	/	/	/	/	3000	3200	3600	4000	4200	4700	5000	5400	6000	6200

A = Condensate discharge at 10°C below saturation temperature. B = Cold water capacity at about 20°C.



DIMENSIONS (mm)				
MODEL	A	B	ØC	WEIGHT Kg
UBS90	100	35	62	1,7



UBS steam trap fitted to UCX pipeline connector

MATERIALS		
POS.Nr.	DESIGNATION	MATERIAL
1	Body	CF8M / 1.4408
2	Cover	CF8M / 1.4408
3	Valve holder	AISI304 / 1.4301
4	Discs	Bimetal
7	*Inlet gasket	St.Steel / Graphite
8	*Outlet gasket	St.Steel / Graphite
11	Bolts	ASTM A193 Gr.B7

\* Available spare parts

